

Filler Breather Filter

HB-55-72

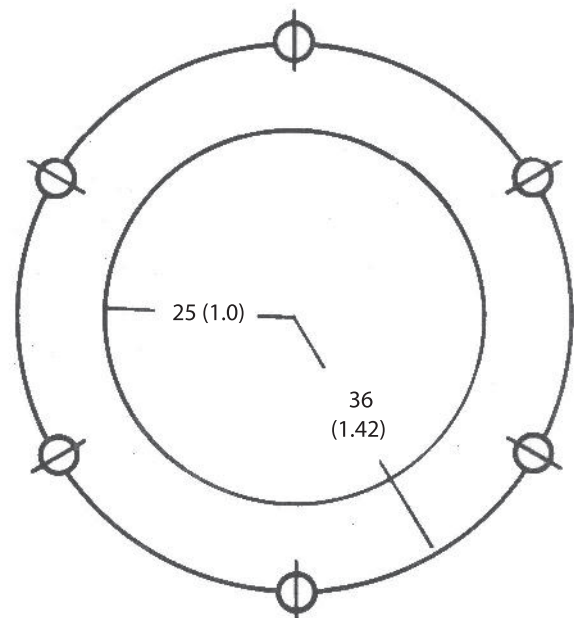
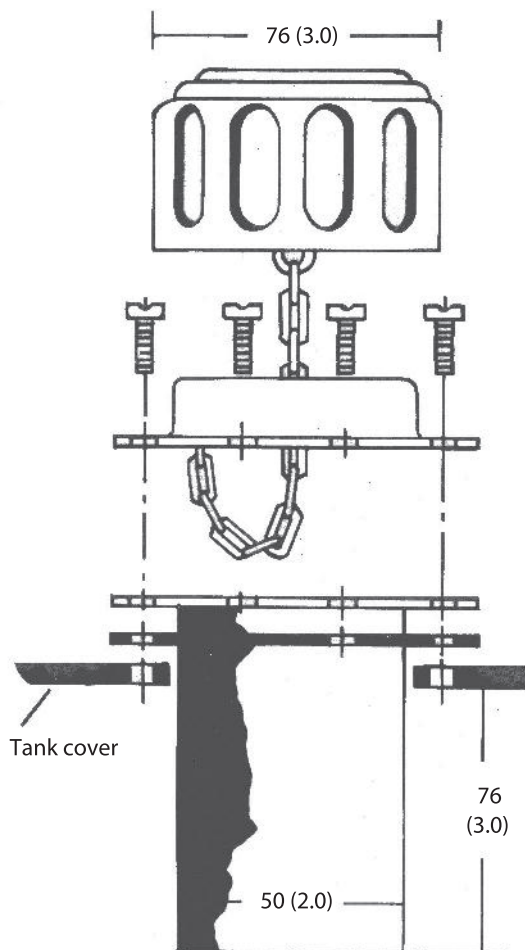


Features and Handling

- Filler Breather with filter are intended primary for mounting directly on reservoir covers and are furnished completely with flange gaskets and ready for installation.



Specification and Installation Dimensions mm (inch)



Weight: 0.25 kg (0.55 lbs)