

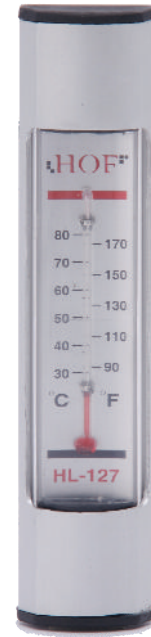
# Level and Temperature Gauge

## HL-76/HL-127

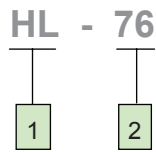


### Features and Handling

- HL-76,HL-127 is a level and temperature gauge for mounting on side of oil tank, fuel reservoirs, central lubrication unit, and etc. It is made of Aluminum casting, oil-resistant rubber gaskets, and plastic circular gauges for large sight area.



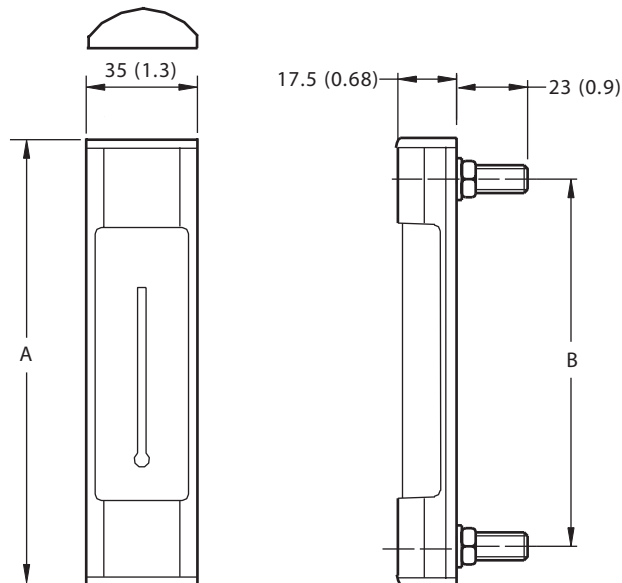
### Ordering Code



1 Model : HL

2 Mounting (mm)  
76 - Small size  
127 - Large size

### Specification and Installation Dimensions mm (inch)



| Model  | A          | B         |
|--------|------------|-----------|
| HL-76  | 103 (4.05) | 76 (3.0)  |
| HL-127 | 154 (6.06) | 127 (5.0) |